

Overview of anticorrosive agents

	Wax-based underseal	Wax-based anticorrosive agent	Bitumen-based underseal	Underseal spreadable	Bitumen-free underseal	Stoneguard, can be painted over	Cavity Protection	Cable Grease
Designation	Wax Underseal	Rust Protection Wax	Underseal Bitumen	Underseal Spreadable	Underseal	Stoneguard	Cavity Protection	Cable Grease
Color	anthracite/black	brown/transparent	black	black	black	gray	light brown	anthracite/black
Spray, 500 ml	Part no. 6100	Part no. 6103	Part no. 6111		Part no. 6113	Part no. 6105	Part no. 6107	Part no. 6135
Cartridge, 1 l	Part no. 6102	Part no. 6104	Part no. 6112		Part no. 6114	Part no. 6106	Part no. 6108	Part no. 6173
Large container	Part no. 6120/60 l			Part no. 6119/2 kg				Part no. 6124/5 l
Color						black	transparent	
Spray, 500 ml						Part no. 6109	Part no. 6115	
Cartridge, 1 l						Part no. 6110	Part no. 6116	
Large container							Part no. 6118/10 l	
Capable of creep	●	●					● ● ●	● ●
Can be painted over					● ● ●	● ● ●		
Stoneguard	●	●	● ●	● ●	● ●	● ● ●		●
Abrasion-resistant	●		● ●	● ●	● ● ●	● ● ●		●
Resistant to moisture infiltration	● ●	● ●	●	●			● ● ●	● ● ●
Anti-drumming effect	●		● ● ●	● ● ●	● ● ●	● ● ●		●
Protects against corrosion	● ● ●	● ● ●	● ●	● ●	●	●	● ● ●	● ● ●

Underseal

Advantages of wax-based underseal:

- excellent creep properties thanks to low viscosity
- water-repellent and is not infiltrated by moisture
- self-repairing, small scratches/damage spots are sealed again at slightly raised temperatures
- long effective period
- very good adhesion on underbody coatings that are already present
- superb corrosion protection

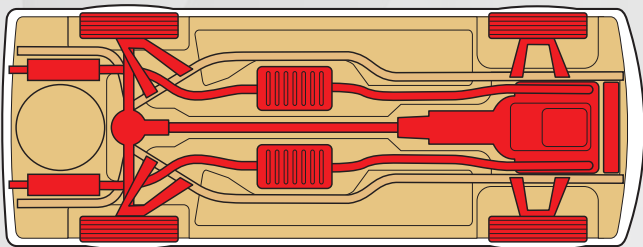
Advantages of bitumen-based underseal:

- extended period of viscoplasticity
- very good anti-drumming effect based on the high solids content
- very good protection against stone chipping thanks to large coat thickness
- particularly abrasion-resistant

Advantages of bitumen-free underseal:

- can be painted over
- very good protection against stone chipping
- particularly abrasion-resistant

Areas of application

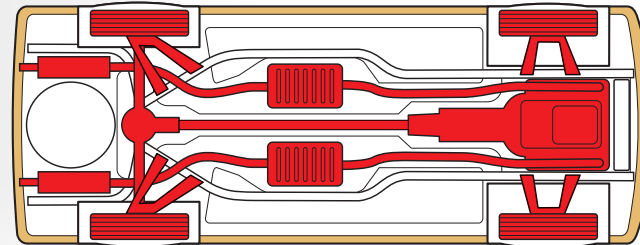


Treat the areas marked yellow.

Do not spray the areas marked red!

Stoneguard

Areas of application

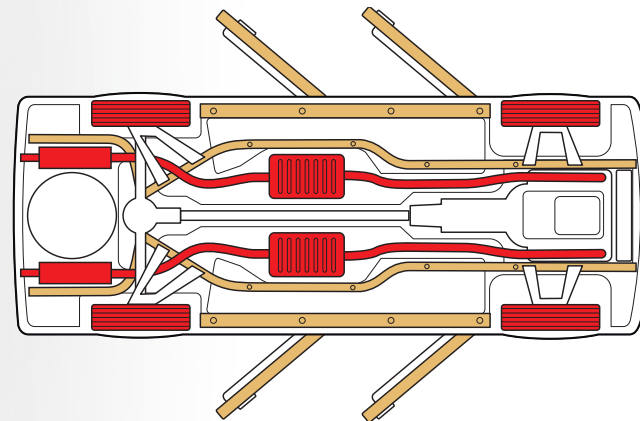


Treat the parts of the body marked yellow such as sills and front and rear valance (only sheet metal parts).

Do not spray the areas marked red!

Cavity protection

Areas of application



Seal the areas marked yellow such as sills, frame parts, door bases and cavities under covers.

Do not spray the areas marked red!